



9,494,044

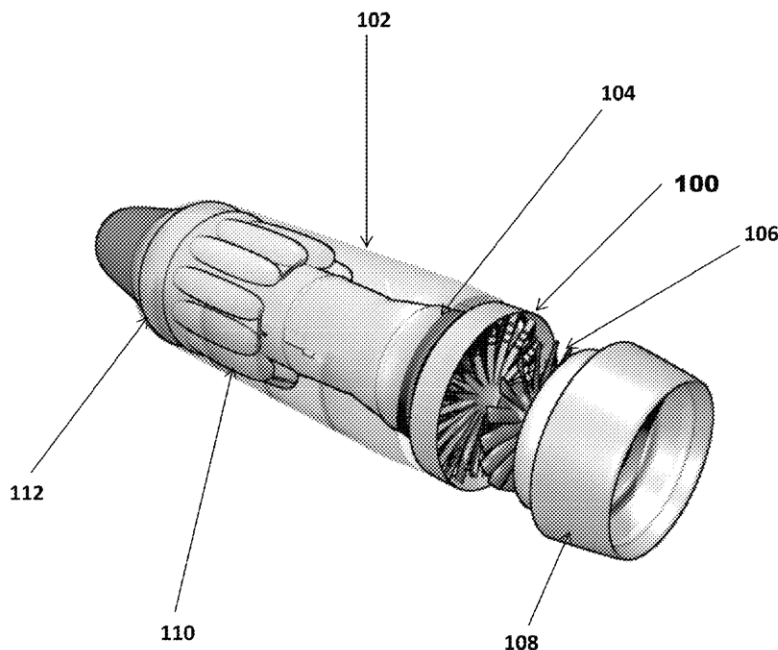
November 15, 2016

Turbo-Electric Compressor/Generator Using Halbach Arrays

INVENTOR

Kurt J. Kloesel — Wrightwood, CA

The present invention is a turbojet design that integrates power generation into the turbojet itself, rather than use separate generators attached to the turbojet for power generation. By integrating the power generation within the jet engine, the weight of the overall system is significantly reduced, increasing system efficiency. Also, by integrating the power generating elements of the system within the air flow of the jet engine, the present invention can use the heat generated by the power generating elements (which is simply expelled waste heat in current designs) to increase the engine performance.



United States Patent